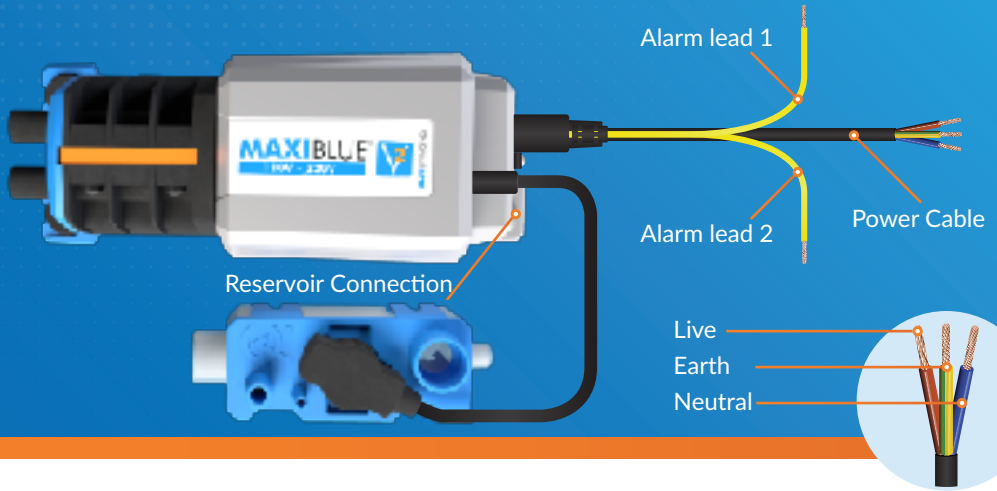
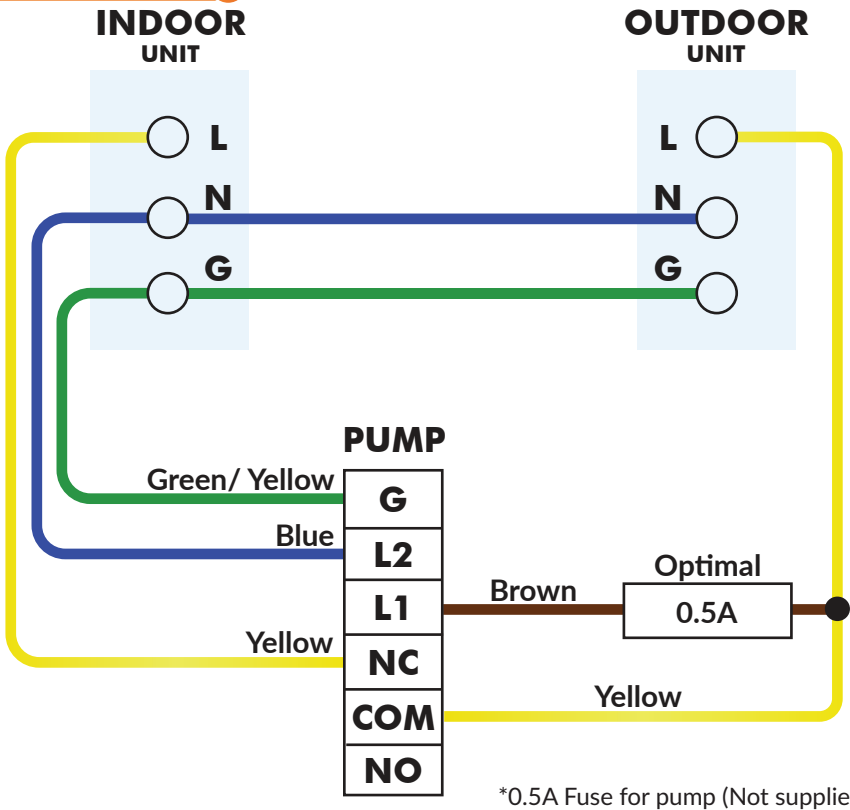


SCHEMATIC - UK & EU



[CLICK TO WATCH VIDEO](#)



Note: For illustration purposes only. Compliance with local codes and electrical safety requirements is the sole responsibility of the installer.